

## Edge handles

### SPECIFICATION

Handle profile

Aluminum

- Black, RAL 9005, textured finish **SW**
- Anodized, natural color **ES**

End pieces

Zinc die casting

Powder coated

Black, RAL 9005, textured finish

Countersunk screws

- Self tapping, with internal hexalobular
- Black, zinc plated

### INFORMATION

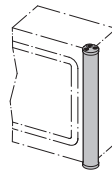
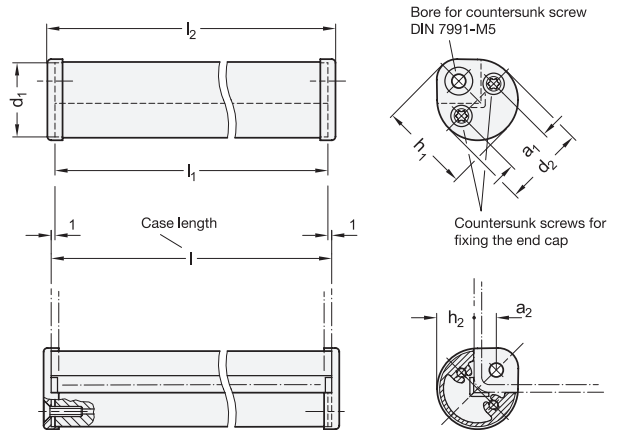
GN 481 edge handles are particularly compact and are used, for example, on the side of monitor housings as a handling aid or generally to protect the edges of housings.

Tolerance compensation of 1 mm per end cap simplifies installation. The two end caps are mounted to the handle profile with self-tapping countersunk screws so they can be screwed back on after adjusting the length of the handle without requiring readjustment. This allows the length of the housing to be adapted to any desired size.

### ON REQUEST

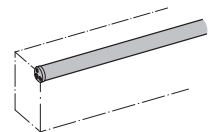
Other lengths  $l_1$

Other finishes



Application examples

Monitor case



Edge protection

### GN 481

Description	d1 -0.5	l1 +2	a1	a2	d2	h1	h2 -0.1	l2	⚖
GN 481-30-100-SW	30	100	18	9	32	34.5	14.5	106	105
GN 481-30-100-EL	30	100	18	9	32	34.5	14.5	106	105
GN 481-30-200-SW	30	200	18	9	32	34.5	14.5	206	150
GN 481-30-200-EL	30	200	18	9	32	34.5	14.5	206	150
GN 481-30-300-SW	30	300	18	9	32	34.5	14.5	306	202
GN 481-30-300-EL	30	300	18	9	32	34.5	14.5	306	202
GN 481-30-400-SW	30	400	18	9	32	34.5	14.5	406	250
GN 481-30-400-EL	30	400	18	9	32	34.5	14.5	406	250
GN 481-30-500-SW	30	500	18	9	32	34.5	14.5	506	300
GN 481-30-500-EL	30	500	18	9	32	34.5	14.5	506	300